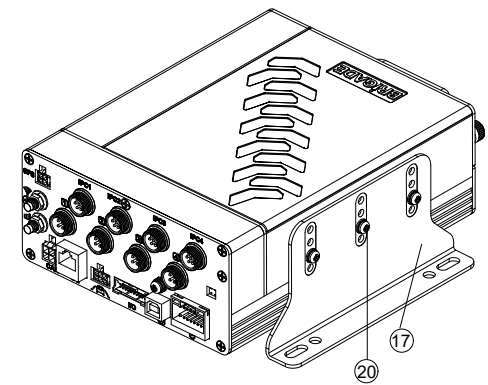
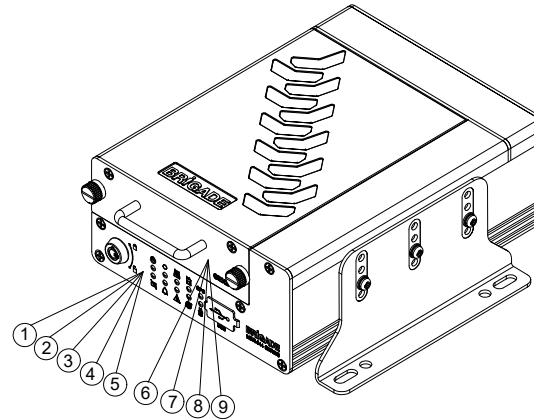
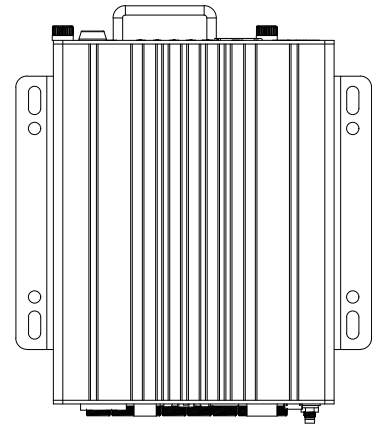
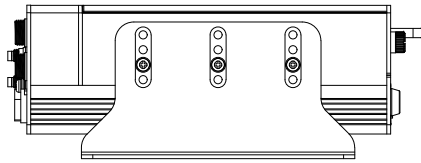
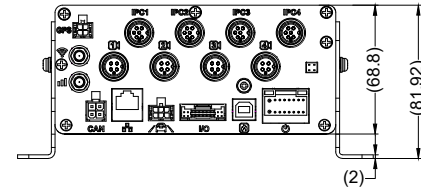
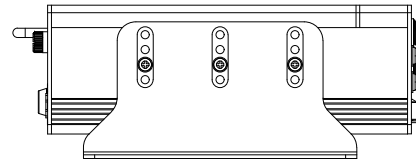
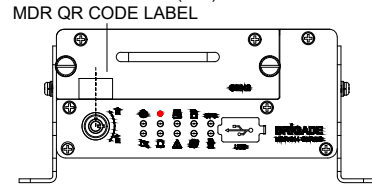
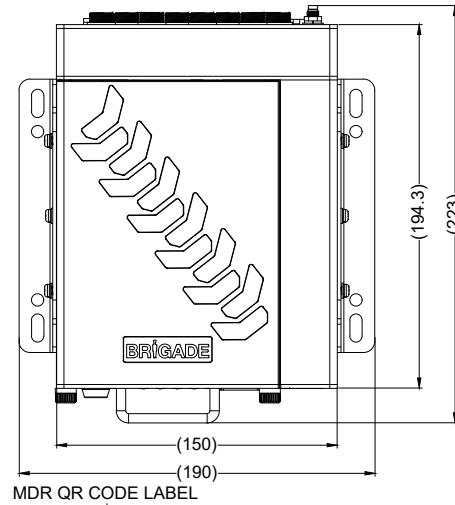


Revision Notes.				
R1 - FW, MCU VERSION UPDATED FOR IMPLEMENTING BUG FIXING; SIG UP-SUFFIX TO 7046A AS PER CR-A945.				
APA: P. BU	Drawn: S. ZHANG	Checked: F. ADEMUJIMI	Approved: S. LAVER	Date: 30/03/2022
R2 - FW, MCU VERSION AND SIG PART NUMBER UPDATED AS PER CR-A948				
APA: P. BU	Drawn: S. ZHANG	Checked: F. ADEMUJIMI	Approved: A. KEBEDE	Date: 29/06/2022
R3 - FW VERSION UPDATED AS PER CR-A972				
APA: P. BU	Drawn: S. ZHANG	Checked: F. ADEMUJIMI	Approved: A. KEBEDE	Date: 10/02/2023
R4 - FW VERSION UPDATED AS PER CR-A997				
APA: P. BU	Drawn: S. ZHANG	Checked: F. ADEMUJIMI	Approved: A. KEBEDE	Date: 16/08/2023
R5 - FW VERSION UPDATED AND CONFIG FILE NEWLY ADDED AS PER P1684.				
APA: K. JIANG	Drawn: S. ZHANG	Checked: F. ADEMUJIMI	Approved: R. PENTLEY	Date: 15/11/2024
R6 - FW VERSION AND CONFIG FILE UPDATED AS PER CR-A1166 (P1778)				
APA: J. LIU	Drawn: P. BU	Checked: E. Mathew	Approved: S. ZHANG	Date: 18/11/2025



- NOTES:**
1. REFERENCE INSTRUCTION MANUAL FOR FUNCTIONALITY.
 2. ANY CUSTOMER MODIFICATION OF THIS PRODUCT CAUSING SUBSEQUENT FAILURE IS NOT A LIABILITY OF BRIGADE ELECTRONICS GROUP PLC.
 3. MOBILE NETWORK AND WIFI CAPABILITIES DEPEND ON MODEL AND AVAILABILITY.
 4. FIXING SCREWS SUPPLIED IN CLEAR PLASTIC BAG.
 5. VARIOUS SYSTEM OPTIONS A TO T CONTAIN RELEVANT COMPONENTS.
 6. REFER TO COMPONENT DRAWINGS FOR DETAILED COMPONENT INFORMATION.
 7. FOR ALL LABELS AND PACKAGING REFER TO MASTER BOM.
 8. PART DESCRIPTIONS CONTAINING "" ARE FOUND WITHIN THE CONTROL UNIT. REFER TO MASTER BOM FOR DETAILS.

PROPRIETARY NOTICE
 THIS DESIGN AND TECHNICAL INFORMATION APPEARING ON THIS DRAWING IS THE PROPERTY OF BRIGADE ELECTRONICS, AND IS DISCLOSED IN CONFIDENCE. IT IS NOT TO BE COPIED, REPRODUCED, REVEALED TO OR EXPROPRIATED BY OTHERS, EITHER IN WHOLE OR IN PART WITHOUT THE EXPRESS WRITTEN CONSENT OF BRIGADE ELECTRONICS.

Sheet 1 of 5	Assembly PI Approval P. BU	Approved by S. LAVER	Checked by J. STEWART	Drawn by F. ADEMUJIMI
Customer Approval N/A	Angle of Projection 	Units mm	Scale N/A	Released 14/01/22
Status RELEASED		Assembly Ref -		
Part No VARIOUS		MDR-644XX-XXX-XXX BE-004573-06-21		

Brigade
 brigade-electronics.com

Revision Notes.				
R1 - FW, MCU VERSION UPDATED FOR IMPLEMENTING BUG FIXING; SIG UP-SUFFIX TO 7046A AS PER CR-A945.				
APA: P. BU	Drawn:S. ZHANG	Checked:F. ADEMUJIMI	Approved:S. LAVER	Date: 30/03/2022
R2 - FW, MCU VERSION AND SIG PART NUMBER UPDATED AS PER CR-A948				
APA: P. BU	Drawn:S. ZHANG	Checked:F. ADEMUJIMI	Approved:A. KEBEDE	Date: 29/06/2022
R3 - FW VERSION UPDATED AS PER CR-A972				
APA: P. BU	Drawn:S. ZHANG	Checked:F. ADEMUJIMI	Approved:A. KEBEDE	Date: 10/02/2023
R4 - FW VERSION UPDATED AS PER CR-A997				
APA: P. BU	Drawn:S. ZHANG	Checked:F. ADEMUJIMI	Approved:A. KEBEDE	Date: 16/08/2023
R5 - FW VERSION UPDATED AND CONFIG FILE NEWLY ADDED AS PER P1684.				
APA: K. JIANG	Drawn:S. ZHANG	Checked:F. ADEMUJIMI	Approved:R. PENTLEY	Date: 15/11/2024
R6 - FW VERSION AND CONFIG FILE UPDATED AS PER CR-A1166 (P1778)				
APA: J. LU	Drawn:P. BU	Checked:E. Mathew	Approved:S. ZHANG	Date: 18/11/2025

ITEM	PART NUMBER	QTY	MODEL NUMBER	DESCRIPTION	CONFIG FILE	MCU VERSION	FIRMWARE VERSION			
(A)	6570	1	MDR-644-1-CMR	MDR-600 4 ANALOGUE CHANNELS, 4 IP CHANNELS, 1TB CMR, 64GB SD	MDR 644 EU CONFIG FILES - 061125	T22061801	RC25103060			
(B)	6571	1	MDR-644G-1-CMR	MDR-600 4G, 4 ANALOGUE CHANNELS, 4 IP CHANNELS, 1TB CMR, 64GB SD						
(C)	6572	1	MDR-644GW-1-CMR	MDR-600 4G & WIFI, 4 ANALOGUE CHANNELS, 4 IP CHANNELS, 1TB CMR, 64GB SD						
(D)	6575	1	MDR-644-0.5-SSD	MDR-600 4 ANALOGUE CHANNELS, 4 IP CHANNELS, 500GB SSD, 64GB SD						
(E)	6576	1	MDR-644G-0.5-SSD	MDR-600 4G, 4 ANALOGUE CHANNELS, 4 IP CHANNELS, 500GB SSD, 64GB SD						
(F)	6577	1	MDR-644GW-0.5-SSD	MDR-600 4G & WIFI, 4 ANALOGUE CHANNELS, 4 IP CHANNELS, 500GB SSD, 64GB SD						
(G)	6580	1	MDR-644-1-SSD	MDR-600 4 ANALOGUE CHANNELS, 4 IP CHANNELS, 1TB SSD, 64GB SD						
(H)	6581	1	MDR-644G-1-SSD	MDR-600 4G, 4 ANALOGUE CHANNELS, 4 IP CHANNELS, 1TB SSD, 64GB SD						
(I)	6582	1	MDR-644GW-1-SSD	MDR-600 4G & WIFI, 4 ANALOGUE CHANNELS, 4 IP CHANNELS, 1TB SSD, 64GB SD						
(J)	6585	1	MDR-644-2-SSD	MDR-600 4 ANALOGUE CHANNELS, 4 IP CHANNELS, 2TB SSD, 64GB SD						
(K)	6586	1	MDR-644G-2-SSD	MDR-600 4G, 4 ANALOGUE CHANNELS, 4 IP CHANNELS, 2TB SSD, 64GB SD						
(L)	6587	1	MDR-644GW-2-SSD	MDR-600 4G & WIFI, 4 ANALOGUE CHANNELS, 4 IP CHANNELS, 2TB SSD, 64GB SD						
(M)	6573	1	MDR-644G-1-CMR(NA)	MDR-600 4G, 4 ANALOGUE CHANNELS, 4 IP CHANNELS, 1TB CMR, 64GB SD - NA				MDR 644 NA CONFIG FILES - 061125		
(N)	6574	1	MDR-644GW-1-CMR(NA)	MDR-600 4G & WIFI, 4 ANALOGUE CHANNELS, 4 IP CHANNELS, 1TB CMR, 64GB SD - NA						
(O)	6578	1	MDR-644G-0.5-SSD(NA)	MDR-600 4G, 4 ANALOGUE CHANNELS, 4 IP CHANNELS, 500GB SSD, 64GB SD - NA						
(P)	6579	1	MDR-644GW-0.5-SSD(NA)	MDR-600 4G & WIFI, 4 ANALOGUE CHANNELS, 4 IP CHANNELS, 500GB SSD, 64GB SD - NA						
(Q)	6583	1	MDR-644G-1-SSD(NA)	MDR-600 4G, 4 ANALOGUE CHANNELS, 4 IP CHANNELS, 1TB SSD, 64GB SD - NA						
(R)	6584	1	MDR-644GW-1-SSD(NA)	MDR-600 4G & WIFI, 4 ANALOGUE CHANNELS, 4 IP CHANNELS, 1TB SSD, 64GB SD - NA						
(S)	6588	1	MDR-644G-2-SSD(NA)	MDR-600 4G, 4 ANALOGUE CHANNELS, 4 IP CHANNELS, 2TB SSD, 64GB SD - NA						
(T)	6589	1	MDR-644GW-2-SSD(NA)	MDR-600 4G & WIFI, 4 ANALOGUE CHANNELS, 4 IP CHANNELS, 2TB SSD, 64GB SD - NA						



- NOTES:
1. REFERENCE INSTRUCTION MANUAL FOR FUNCTIONALITY.
 2. ANY CUSTOMER MODIFICATION OF THIS PRODUCT CAUSING SUBSEQUENT FAILURE IS NOT A LIABILITY OF BRIGADE ELECTRONICS GROUP PLC.
 3. MOBILE NETWORK AND WIFI CAPABILITIES DEPEND ON MODEL AND AVAILABILITY.
 4. FIXING SCREWS SUPPLIED IN CLEAR PLASTIC BAG.
 5. VARIOUS SYSTEM OPTIONS A TO T CONTAIN RELEVANT COMPONENTS.
 6. REFER TO COMPONENT DRAWINGS FOR DETAILED COMPONENT INFORMATION.
 7. FOR ALL LABELS AND PACKAGING REFER TO MASTER BOM.
 8. PART DESCRIPTIONS CONTAINING '*' ARE FOUND WITHIN THE CONTROL UNIT. REFER TO MASTER BOM FOR DETAILS.

PROPRIETARY NOTICE
 THIS DESIGN AND TECHNICAL INFORMATION APPEARING ON THIS DRAWING IS THE PROPERTY OF BRIGADE ELECTRONICS, AND IS DISCLOSED IN CONFIDENCE. IT IS NOT TO BE COPIED, REPRODUCED, REVEALED TO OR EXPROPRIATED BY OTHERS, EITHER IN WHOLE OR IN PART WITHOUT THE EXPRESS WRITTEN CONSENT OF BRIGADE ELECTRONICS.

Sheet 2 of 5	Assembly Pl Approval P. BU	Approved by S. LAVER	Checked by J. STEWART	Drawn by F. ADEMUJIMI
Customer Approval N/A		Units mm	Scale N/A	Released 14/01/22
 brigade-electronics.com		Status RELEASED	MDR-644XX-XXX-XXX	
		Part No VARIOUS	BE-004573-06-21	

Revision Notes.				
R1 - FW, MCU VERSION UPDATED FOR IMPLEMENTING BUG FIXING; SIG UP-SUFFIX TO 7046A AS PER CR-A945.				
APA: P.BU	Drawn:S. ZHANG	Checked:F. ADEMUJIMI	Approved:S. LAVER	Date: 30/03/2022
R2 - FW, MCU VERSION AND SIG PART NUMBER UPDATED AS PER CR-A948				
APA: P.BU	Drawn:S. ZHANG	Checked:F. ADEMUJIMI	Approved:A. KEBEDE	Date: 29/06/2022
R3 - FW VERSION UPDATED AS PER CR-A972				
APA: P.BU	Drawn:S. ZHANG	Checked:F. ADEMUJIMI	Approved:A. KEBEDE	Date: 10/02/2023
R4 - FW VERSION UPDATED AS PER CR-A997				
APA: P.BU	Drawn:S. ZHANG	Checked:F. ADEMUJIMI	Approved:A. KEBEDE	Date: 16/08/2023
R5 - FW VERSION UPDATED AND CONFIG FILE NEWLY ADDED AS PER P1684.				
APA: K. JIANG	Drawn:S. ZHANG	Checked:F. ADEMUJIMI	Approved:R. PENTLEY	Date: 15/11/2024
R6 - FW VERSION AND CONFIG FILE UPDATED AS PER CR-A1166 (P1778)				
APA: J. LIU	Drawn:P. BU	Checked:E. Mathew	Approved:S. ZHANG	Date: 18/11/2025

ITEM	①	②	③	④	⑤	⑥	⑦
DESCRIPTION	MDR 600 4 ANALOGUE CHANNELS, 4 IP CHANNELS DOCKING STATION, 64GB SD CARD *	MDR 600 4 ANALOGUE CHANNELS, 4 IP CHANNELS DOCKING STATION WITH 4G, 64GB SD CARD *	MDR 600 4 ANALOGUE CHANNELS, 4 IP CHANNELS DOCKING STATION WITH 4G & WIFI, 64GB SD CARD *	MDR 600 4 ANALOGUE CHANNELS, 4 IP CHANNELS DOCKING STATION WITH 4G, 64GB SD CARD - NA *	MDR 600 4 ANALOGUE CHANNELS, 4 IP CHANNELS DOCKING STATION WITH 4G & WIFI, 64GB SD CARD - NA *	MDR-644 CADDY UNIT, 1TB HDD CMR *	MDR-644 CADDY UNIT, 500GB SSD *
MODEL NUMBER	MDR-644-DS	MDR-644G-DS	MDR-644GW-DS	MDR-644G-DS(NA)	MDR-644GW-DS(NA)	MDR-644-1-MCU-CMR	MDR-644-0.5-MCU-SSD
PART NUMBER	6610	6611	6612	6613	6614	6615	6616
MDR-644-1-CMR QTY	1	-	-	-	-	1	-
MDR-644G-1-CMR QTY	-	1	-	-	-	1	-
MDR-644GW-1-CMR QTY	-	-	1	-	-	1	-
MDR-644G-1-CMR(NA) QTY	-	-	-	1	-	1	-
MDR-644GW-1-CMR(NA) QTY	-	-	-	-	1	1	-
MDR-644-0.5-SSD QTY	1	-	-	-	-	-	1
MDR-644G-0.5-SSD QTY	-	1	-	-	-	-	1
MDR-644GW-0.5-SSD QTY	-	-	1	-	-	-	1
MDR-644G-0.5-SSD(NA) QTY	-	-	-	1	-	-	1
MDR-644GW-0.5-SSD(NA) QTY	-	-	-	-	1	-	1
MDR-644-1-SSD QTY	1	-	-	-	-	-	-
MDR-644G-1-SSD QTY	-	1	-	-	-	-	-
MDR-644GW-1-SSD QTY	-	-	1	-	-	-	-
MDR-644G-1-SSD(NA) QTY	-	-	-	1	-	-	-
MDR-644GW-1-SSD(NA) QTY	-	-	-	-	1	-	-
MDR-644-2-SSD QTY	1	-	-	-	-	-	-
MDR-644G-2-SSD QTY	-	1	-	-	-	-	-
MDR-644GW-2-SSD QTY	-	-	1	-	-	-	-
MDR-644G-2-SSD(NA) QTY	-	-	-	1	-	-	-
MDR-644GW-2-SSD(NA) QTY	-	-	-	-	1	-	-

- NOTES:
1. REFERENCE INSTRUCTION MANUAL FOR FUNCTIONALITY.
 2. ANY CUSTOMER MODIFICATION OF THIS PRODUCT CAUSING SUBSEQUENT FAILURE IS NOT A LIABILITY OF BRIGADE ELECTRONICS GROUP PLC.
 3. MOBILE NETWORK AND WIFI CAPABILITIES DEPEND ON MODEL AND AVAILABILITY.
 4. FIXING SCREWS SUPPLIED IN CLEAR PLASTIC BAG.
 5. VARIOUS SYSTEM OPTIONS A TO T CONTAIN RELEVANT COMPONENTS.
 6. REFER TO COMPONENT DRAWINGS FOR DETAILED COMPONENT INFORMATION.
 7. FOR ALL LABELS AND PACKAGING REFER TO MASTER BOM.
 8. PART DESCRIPTIONS CONTAINING "*" ARE FOUND WITHIN THE CONTROL UNIT. REFER TO MASTER BOM FOR DETAILS.

PROPRIETARY NOTICE
THIS DESIGN AND TECHNICAL INFORMATION APPEARING ON THIS DRAWING IS THE PROPERTY OF BRIGADE ELECTRONICS, AND IS DISCLOSED IN CONFIDENCE. IT IS NOT TO BE COPIED, REPRODUCED, REVEALED TO OR EXPROPRIATED BY OTHERS, EITHER IN WHOLE OR IN PART WITHOUT THE EXPRESS WRITTEN CONSENT OF BRIGADE ELECTRONICS.

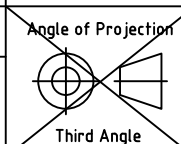

Sheet 3 of 5	Assembly Pl Approval P. BU	Approved by S. LAVER	Checked by J. STEWART	Drawn by F. ADEMUJIMI	
Customer Approval N/A	 Angle of Projection Third Angle	Units mm	Scale N/A	Released 14/01/22	Assembly Ref -
 brigade-electronics.com		Status RELEASED	MDR-644XX-XXX-XXX		
		Part No VARIOUS	BE-004573-06-21		

Revision Notes.				
R1 - FW, MCU VERSION UPDATED FOR IMPLEMENTING BUG FIXING; SIG UP-SUFFIX TO 7046A AS PER CR-A945.				
APA: P.BU	Drawn:S. ZHANG	Checked:F. ADEMUJIMI	Approved:S. LAVER	Date: 30/03/2022
R2 - FW, MCU VERSION AND SIG PART NUMBER UPDATED AS PER CR-A948				
APA: P.BU	Drawn:S. ZHANG	Checked:F. ADEMUJIMI	Approved:A. KEBEDE	Date: 29/06/2022
R3 - FW VERSION UPDATED AS PER CR-A972				
APA: P.BU	Drawn:S. ZHANG	Checked:F. ADEMUJIMI	Approved:A. KEBEDE	Date: 10/02/2023
R4 - FW VERSION UPDATED AS PER CR-A997				
APA: P.BU	Drawn:S. ZHANG	Checked:F. ADEMUJIMI	Approved:A. KEBEDE	Date: 16/08/2023
R5 - FW VERSION UPDATED AND CONFIG FILE NEWLY ADDED AS PER P1684.				
APA: K. JIANG	Drawn:S. ZHANG	Checked:F. ADEMUJIMI	Approved:R. PENTLEY	Date: 15/11/2024
R6 - FW VERSION AND CONFIG FILE UPDATED AS PER CR-A1166 (P1778)				
APA: J.LIU	Drawn:P. BU	Checked:E. Mathew	Approved:S. ZHANG	Date: 18/11/2025

ITEM	⑧	⑨	⑩	⑪	⑫	⑬	⑭
DESCRIPTION	MDR-644 CADDY UNIT, 1TB SSD *	MDR-644 CADDY UNIT, 2TB SSD *	MDR INPUT / OUTPUT CABLE (NOT SHOWN)	MDR POWER CABLE (NOT SHOWN)	MDR GPS ANTENNA (NOT SHOWN)	MDR MOBILE NETWORK ANTENNA (NOT SHOWN)	MDR WI-FI ANTENNA (NOT SHOWN)
MODEL NUMBER	MDR-644-1-MCU-SSD	MDR-644-2-MCU-SSD	MDR-IO-02	MDR-PWR-01	MDR-ANT-GPS-03	MDR-ANT-MOB-01	MDR-ANT-WIFI-01
PART NUMBER	6617	6618	6623	5141	6624	4989	4990
MDR-644-1-CMR QTY	-	-	1	1	1	-	-
MDR-644G-1-CMR QTY	-	-	1	1	1	1	-
MDR-644GW-1-CMR QTY	-	-	1	1	1	1	1
MDR-644G-1-CMR(NA) QTY	-	-	1	1	1	1	-
MDR-644GW-1-CMR(NA) QTY	-	-	1	1	1	1	1
MDR-644-0.5-SSD QTY	-	-	1	1	1	-	-
MDR-644G-0.5-SSD QTY	-	-	1	1	1	1	-
MDR-644GW-0.5-SSD QTY	-	-	1	1	1	1	1
MDR-644G-0.5-SSD(NA) QTY	-	-	1	1	1	1	-
MDR-644GW-0.5-SSD(NA) QTY	-	-	1	1	1	1	1
MDR-644-1-SSD QTY	1	-	1	1	1	-	-
MDR-644G-1-SSD QTY	1	-	1	1	1	1	-
MDR-644GW-1-SSD QTY	1	-	1	1	1	1	1
MDR-644G-1-SSD(NA) QTY	1	-	1	1	1	1	-
MDR-644GW-1-SSD(NA) QTY	1	-	1	1	1	1	1
MDR-644-2-SSD QTY	-	1	1	1	1	-	-
MDR-644G-2-SSD QTY	-	1	1	1	1	1	-
MDR-644GW-2-SSD QTY	-	1	1	1	1	1	1
MDR-644G-2-SSD(NA) QTY	-	1	1	1	1	1	-
MDR-644GW-2-SSD(NA) QTY	-	1	1	1	1	1	1

- NOTES:
1. REFERENCE INSTRUCTION MANUAL FOR FUNCTIONALITY.
 2. ANY CUSTOMER MODIFICATION OF THIS PRODUCT CAUSING SUBSEQUENT FAILURE IS NOT A LIABILITY OF BRIGADE ELECTRONICS GROUP PLC.
 3. MOBILE NETWORK AND WIFI CAPABILITIES DEPEND ON MODEL AND AVAILABILITY.
 4. FIXING SCREWS SUPPLIED IN CLEAR PLASTIC BAG.
 5. VARIOUS SYSTEM OPTIONS A TO T CONTAIN RELEVANT COMPONENTS.
 6. REFER TO COMPONENT DRAWINGS FOR DETAILED COMPONENT INFORMATION.
 7. FOR ALL LABELS AND PACKAGING REFER TO MASTER BOM.
 8. PART DESCRIPTIONS CONTAINING "*" ARE FOUND WITHIN THE CONTROL UNIT. REFER TO MASTER BOM FOR DETAILS.

PROPRIETARY NOTICE
 THIS DESIGN AND TECHNICAL INFORMATION APPEARING ON THIS DRAWING IS THE PROPERTY OF BRIGADE ELECTRONICS, AND IS DISCLOSED IN CONFIDENCE. IT IS NOT TO BE COPIED, REPRODUCED, REVEALED TO OR EXPROPRIATED BY OTHERS, EITHER IN WHOLE OR IN PART WITHOUT THE EXPRESS WRITTEN CONSENT OF BRIGADE ELECTRONICS.

Sheet 4 of 5	Assembly Pl Approval P. BU	Approved by S. LAVER	Checked by J. STEWART	Drawn by F. ADEMUJIMI	
Customer Approval N/A	 Angle of Projection Third Angle	Units mm	Scale N/A	Released 14/01/22	Assembly Ref -
 brigade-electronics.com		Status RELEASED	MDR-644XX-XXX-XXX		
		Part No VARIOUS	BE-004573-06-21		

Revision Notes.				
R1 - FW, MCU VERSION UPDATED FOR IMPLEMENTING BUG FIXING; SIG UP-SUFFIX TO 7046A AS PER CR-A945.				
APA: P. BU	Drawn:S. ZHANG	Checked:F. ADEMUJIMI	Approved:S. LAVER	Date: 30/03/2022
R2 - FW, MCU VERSION AND SIG PART NUMBER UPDATED AS PER CR-A948				
APA: P. BU	Drawn:S. ZHANG	Checked:F. ADEMUJIMI	Approved:A. KEBEDE	Date: 29/06/2022
R3 - FW VERSION UPDATED AS PER CR-A972				
APA: P. BU	Drawn:S. ZHANG	Checked:F. ADEMUJIMI	Approved:A. KEBEDE	Date: 10/02/2023
R4 - FW VERSION UPDATED AS PER CR-A997				
APA: P. BU	Drawn:S. ZHANG	Checked:F. ADEMUJIMI	Approved:A. KEBEDE	Date: 16/08/2023
R5 - FW VERSION UPDATED AND CONFIG FILE NEWLY ADDED AS PER P1684.				
APA: K. JIANG	Drawn:S. ZHANG	Checked:F. ADEMUJIMI	Approved:R. PENTLEY	Date: 15/11/2024
R6 - FW VERSION AND CONFIG FILE UPDATED AS PER CR-A1166 (P1778)				
APA: J. LIU	Drawn:P. BU	Checked:E. Mathew	Approved:S. ZHANG	Date: 18/11/2025

ITEM	⑮	⑯	⑰	⑱	⑲	⑳	㉑
DESCRIPTION	MDR USB A TO B CABLE (NOT SHOWN)	SECURITY KEY (NOT SHOWN)	2 x MDR BRACKETS	MDR MOUSE (NOT SHOWN)	ENGLISH SHORT INSTALLATION GUIDE (NOT SHOWN)	7 x FIXINGS FOR MDR BRACKETS	VEHICLE WARNING STICKER (NOT SHOWN)
MODEL NUMBER	MDR-USB-B-02	MDR-KEY-01	MDR-BKT-01	MDR-MOUSE-01	MDR-600-SIG-EN	MDR-BKT-FIX-01	MDR-VWS
PART NUMBER	5195	4891	5138	5250	7046B	5197	5252
MDR-644-1-CMR QTY	1	1	1	1	1	1	1
MDR-644G-1-CMR QTY	1	1	1	1	1	1	1
MDR-644GW-1-CMR QTY	1	1	1	1	1	1	1
MDR-644G-1-CMR(NA) QTY	1	1	1	1	1	1	1
MDR-644GW-1-CMR(NA) QTY	1	1	1	1	1	1	1
MDR-644-0.5-SSD QTY	1	1	1	1	1	1	1
MDR-644G-0.5-SSD QTY	1	1	1	1	1	1	1
MDR-644GW-0.5-SSD QTY	1	1	1	1	1	1	1
MDR-644G-0.5-SSD(NA) QTY	1	1	1	1	1	1	1
MDR-644GW-0.5-SSD(NA) QTY	1	1	1	1	1	1	1
MDR-644-1-SSD QTY	1	1	1	1	1	1	1
MDR-644G-1-SSD QTY	1	1	1	1	1	1	1
MDR-644GW-1-SSD QTY	1	1	1	1	1	1	1
MDR-644G-1-SSD(NA) QTY	1	1	1	1	1	1	1
MDR-644GW-1-SSD(NA) QTY	1	1	1	1	1	1	1
MDR-644-2-SSD QTY	1	1	1	1	1	1	1
MDR-644G-2-SSD QTY	1	1	1	1	1	1	1
MDR-644GW-2-SSD QTY	1	1	1	1	1	1	1
MDR-644G-2-SSD(NA) QTY	1	1	1	1	1	1	1
MDR-644GW-2-SSD(NA) QTY	1	1	1	1	1	1	1

- NOTES:
1. REFERENCE INSTRUCTION MANUAL FOR FUNCTIONALITY.
 2. ANY CUSTOMER MODIFICATION OF THIS PRODUCT CAUSING SUBSEQUENT FAILURE IS NOT A LIABILITY OF BRIGADE ELECTRONICS GROUP PLC.
 3. MOBILE NETWORK AND WIFI CAPABILITIES DEPEND ON MODEL AND AVAILABILITY.
 4. FIXING SCREWS SUPPLIED IN CLEAR PLASTIC BAG.
 5. VARIOUS SYSTEM OPTIONS A TO T CONTAIN RELEVANT COMPONENTS.
 6. REFER TO COMPONENT DRAWINGS FOR DETAILED COMPONENT INFORMATION.
 7. FOR ALL LABELS AND PACKAGING REFER TO MASTER BOM.
 8. PART DESCRIPTIONS CONTAINING "*" ARE FOUND WITHIN THE CONTROL UNIT. REFER TO MASTER BOM FOR DETAILS.

PROPRIETARY NOTICE
 THIS DESIGN AND TECHNICAL INFORMATION APPEARING ON THIS DRAWING IS THE PROPERTY OF BRIGADE ELECTRONICS, AND IS DISCLOSED IN CONFIDENCE. IT IS NOT TO BE COPIED, REPRODUCED, REVEALED TO OR EXPROPRIATED BY OTHERS, EITHER IN WHOLE OR IN PART WITHOUT THE EXPRESS WRITTEN CONSENT OF BRIGADE ELECTRONICS.

Sheet 5 of 5	Assembly Pt Approval P. BU	Approved by S. LAVER	Checked by J. STEWART	Drawn by F. ADEMUJIMI	
Customer Approval N/A	 Angle of Projection Third Angle	Units mm	Scale N/A	Released 14/01/22	Assembly Ref -
 brigade-electronics.com		Status RELEASED	MDR-644XX-XXX-XXX		
		Part No VARIOUS	BE-004573-06-21		